



STROMAB

EXPERTS IN CROSSCUTTING SOLUTIONS SINCE 1965

CT600
CT600F

OPTIMISATION LINE
FOR **CROSS-CUTTING**
WITH MILLING UNIT



STROMAB

EXPERTS IN CROSSCUTTING SOLUTIONS SINCE 1965



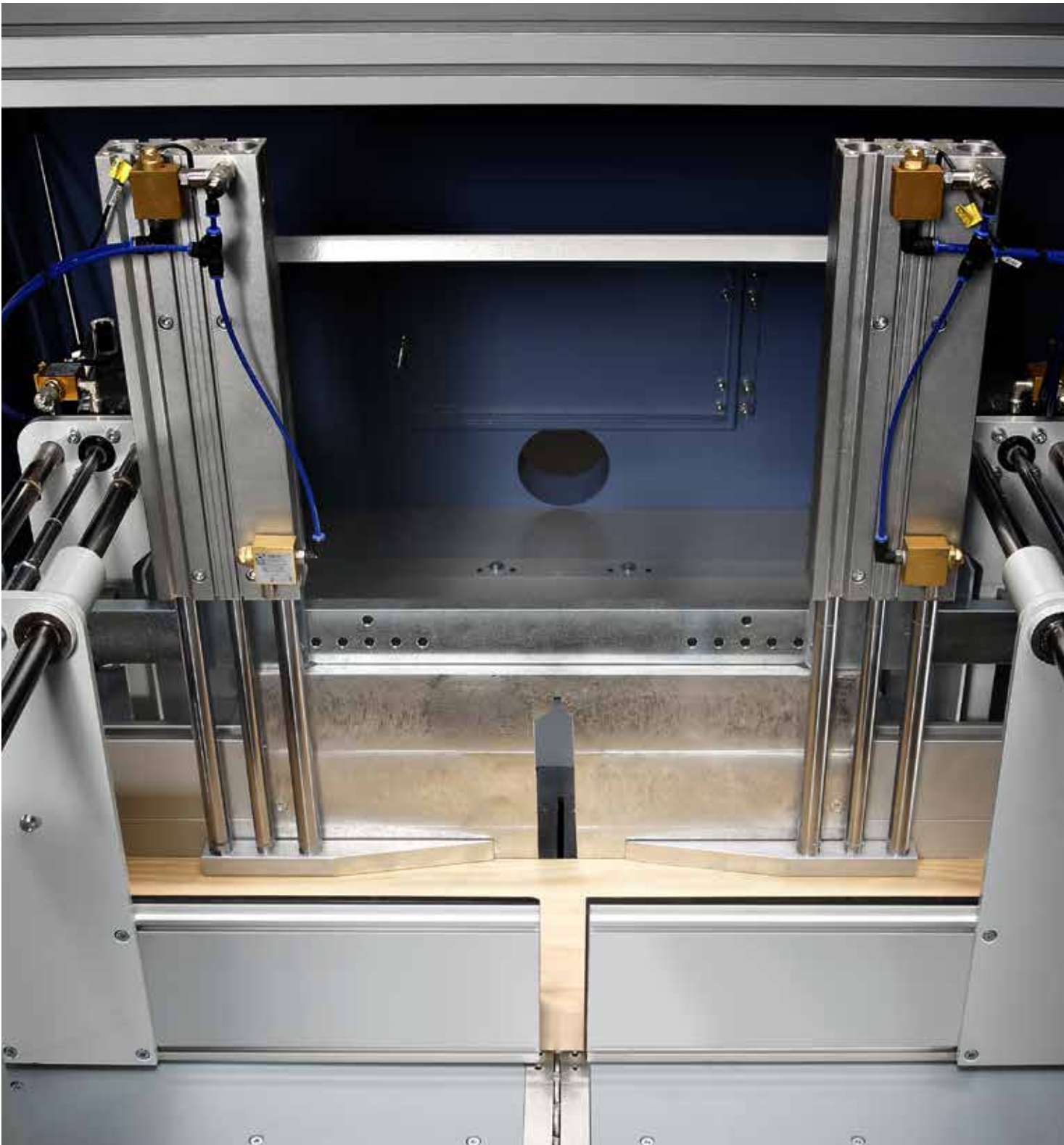
CT600 - CT600F

The CT600 cross-cutting machine with rotating bed is Stromab's flagship unit. Besides being the best selling cutting-off machine with rotating bed in the sector of woodworking machinery, it's considered to be the industry standard not only by our customers, but also by our competitors.

Thank to having more than 200 units already installed, the CT600 has been developed so successfully over the years that it has evolved to levels nobody imagined when it debuted. We believe in the idea that cross-cutting is a growing need in the woodworking sector, so we invest in the development of this machine year after year, starting with mechanical systems and design that are exclusively Italian. However, we've equipped it with German electronics to satisfy highly advanced markets (France, Germany, Italy and the United States).

DESIGN & TECH:
CLEAN LINES,
ERGONOMIC DESIGN
AND ADVANCED
TECHNOLOGY.

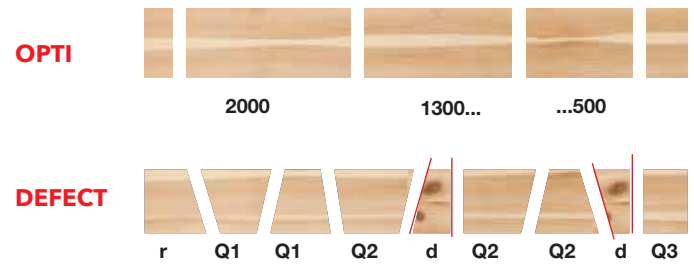




**CROSS-CUTTING:
A PERMANENT
NEED**

CT600

The workpiece locking system in detail: independent pressers at the front ensure that the workpiece is perfectly clamped and aligned with the guide at the rear, even when angles are very acute. This system also locks very short workpieces into position perfectly during processing.



r = trimming section
d = defect
Q1 = quality 1
Q2 = quality 2
Q3 = quality 3



Maximum cutting height.



Close-up of pusher with workpiece measurement sensor



CT600F

Over the past few years, we've included a milling unit that turns the CT600 - which was introduced as a cutting-off machine with pusher - into a true woodworking centre that combines cutting and milling. The CT600F has become a new industry standard in the production of wooden houses (TRUSS, wooden framework).

The workpiece locking system in detail.
A vertical presser at the top combined with two pull-type pressers at the front guarantee perfect workpiece retention during milling.



Beckhoff programming system with a 12" high-res touch screen and a 3-D graphic interface with the Windows operating system.




Manual lifting system for the milling unit, with pneumatic lock, available upon request - even on the PC controlled version.





CUTTING+MILLING:
MULTIPLE POSSIBILITIES
FOR MEETING **ANY**
REQUIREMENT



**VARIABLE-
GEOMETRY
CUTTING**

CUTTING DIAGRAMS

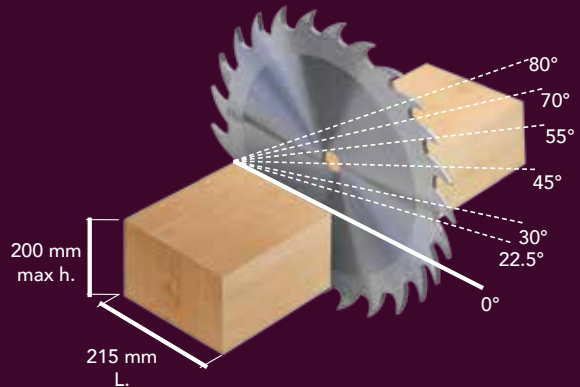
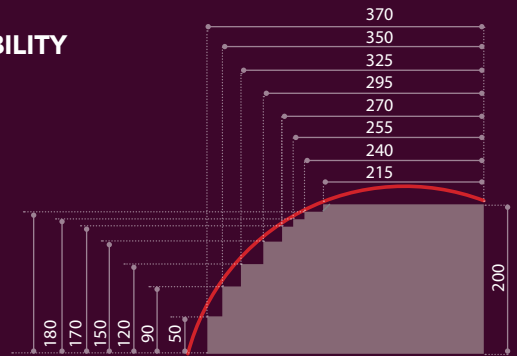
Thanks to an innovative mechanical blade positioning system, we've introduced a new cutting system with variable geometry, so that a single machine can meet requirements for both maximum height and maximum width. Blade angle adjustable from 0 to $\pm 80^\circ$

POS. A) = maximum cutting height of 200 mm used

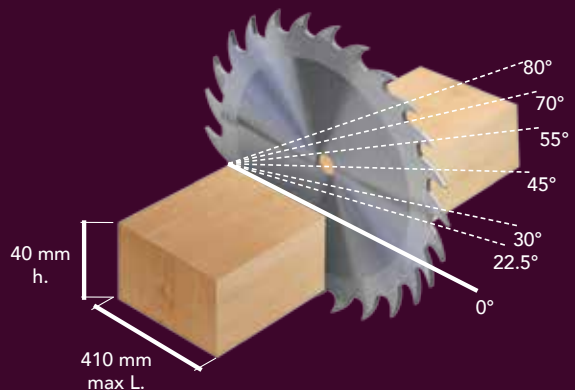
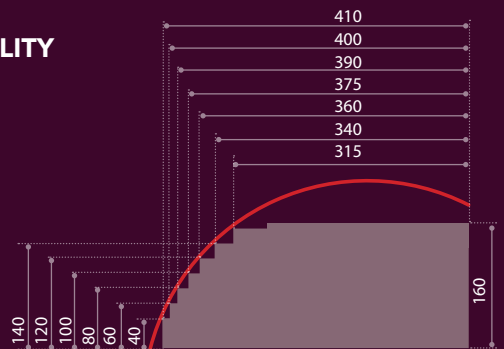
POS. B) = maximum cutting width of 410 mm used

CROSS-CUTTING CAPABILITY AT 0°

CUTTING CAPABILITY POS. A MAX. HEIGHT



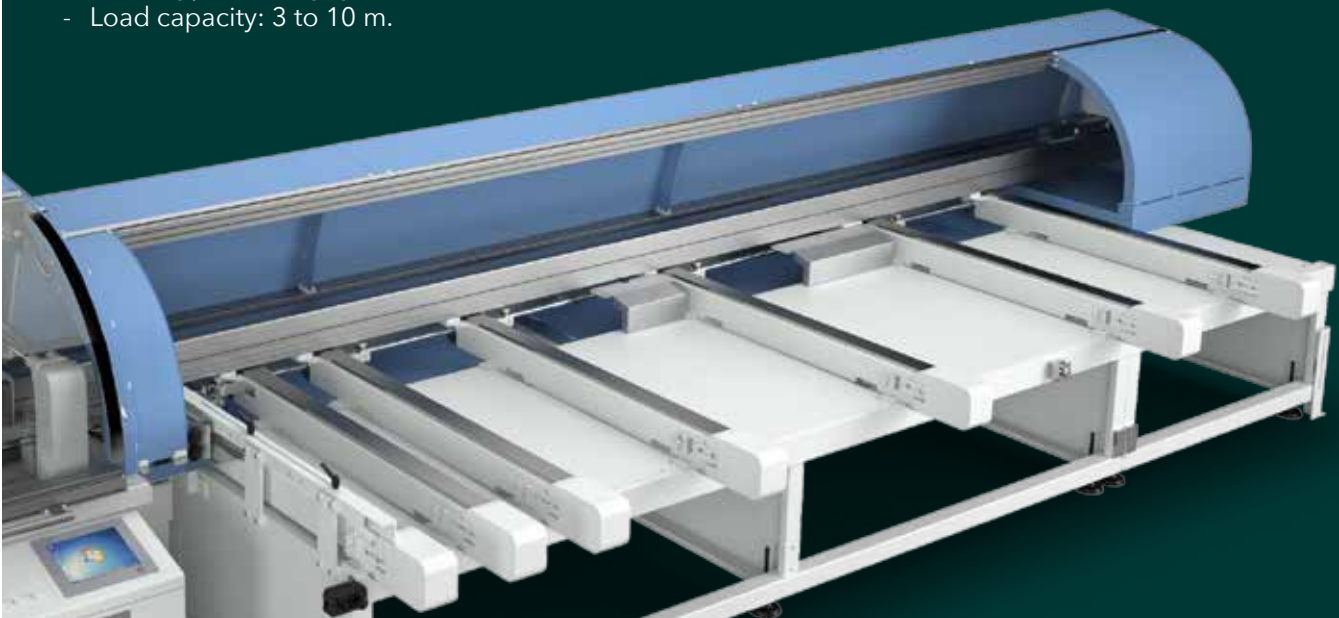
CUTTING CAPABILITY POS. B MAX. WIDTH



TO ENHANCE
PERFORMANCE

AUTOMATIC LOADER

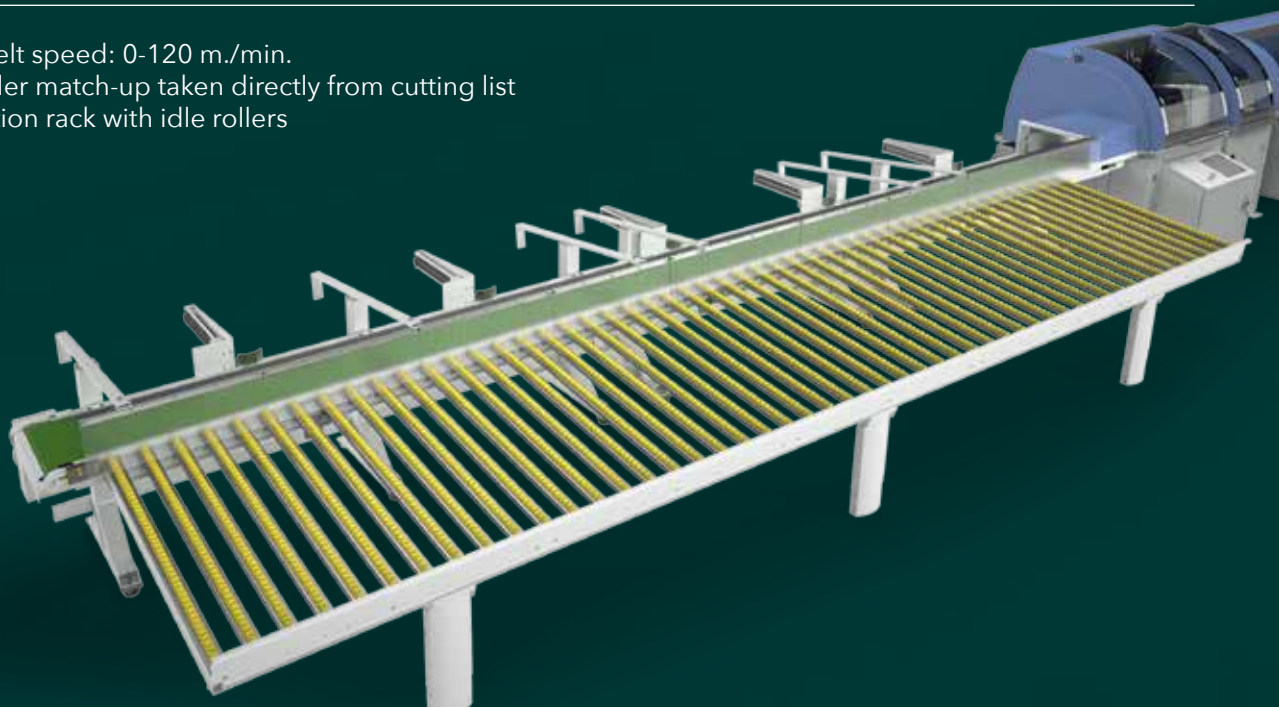
- Automatic loader for individual workpieces or packs of material
- Chain-type loading system
- Load capacity: 3 to 10 m.





ELECTRONIC SORTING CONVEYOR WITH BELT AND RAPID KICKERS

- Variable belt speed: 0-120 m./min.
- Size/expeller match-up taken directly from cutting list
- Accumulation rack with idle rollers



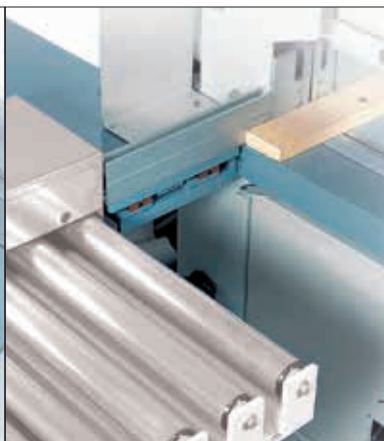
THE **OPTIONS** THAT MAKE THE DIFFERENCE



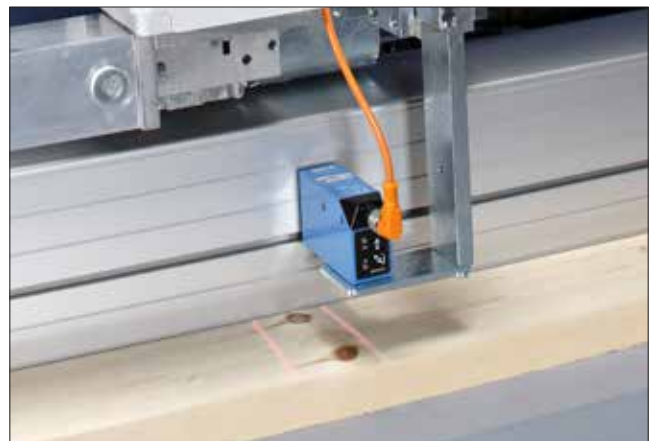
Trap door for expelling trimmed material from headpiece and scraps from straight cut tailpiece (closed)



Trap door for expelling trimmed material from headpiece and scraps from straight cut tailpiece (open)



Video camera for identifying defects or knots, with reading of chalk marks.





ACCESSORIES

Typical only of Italian industry, we've decided to meet the needs of our customers by introducing a wide range of accessories. Just to name a few:

- loading system located on both the left and right sides of the cutting unit
- pusher length ranging from 3000 to 14,000 mm.
- optimisation software with 6 programming options
- 3 label printers and 1 ink-jet printer
- Automatic loading systems
- Automatic unloading systems



REA JET HR high-res ink-jet printer



4 vertical printing heads with print height of mm. 50.8



2 vertical printing heads with print height of mm. 25.4



Label printer

The perfect machine for highly demanding customers. Flexible, yet offering high production capacities, it's the industry standard for producers of special packing, wood floors and wooden houses (TRUSS and framed walls), for the creation of formwork for building construction, and for both indoor and outdoor furnishings.



A SINGLE MACHINE,
**A THOUSAND
DIFFERENT USES**





www.stromab.it

THE **VALUE** OF A FAMILY-OWNED COMPANY

Stromab has stood for reliability since 1965. And we believe that this word best expresses the philosophy behind our products over our more than 40 years in business. The awareness that no investment can offer greater advantages than customer satisfaction leads us to constantly devote new resources for ongoing research into technology, development and human resources. A constant growth trend is the natural result of a company policy based on the value of success in full compliance with environmental requirements. With a surface area of over 5000 m², 40 employees and a constantly updated line of products, Stromab has made a significant name for itself as one of the most dynamic companies in the woodworking machinery sector.



STROMAB

EXPERTS IN CROSSCUTTING SOLUTIONS SINCE 1965

STROMAB SPA

42012 CAMPAGNOLA EMILIA (RE) Italy
Via Zuccardi 28/a - Z.I. Ponte Vettigano
Tel. (0522) 1718800 - Fax (0522) 1718803
info@stromab.com - www.stromab.com